



SPIRO SA

Tubeformer 1602

Date: 22.08.2012

Instruction Manual

1.3.2 RUN-OFF TABLE ASSEMBLY

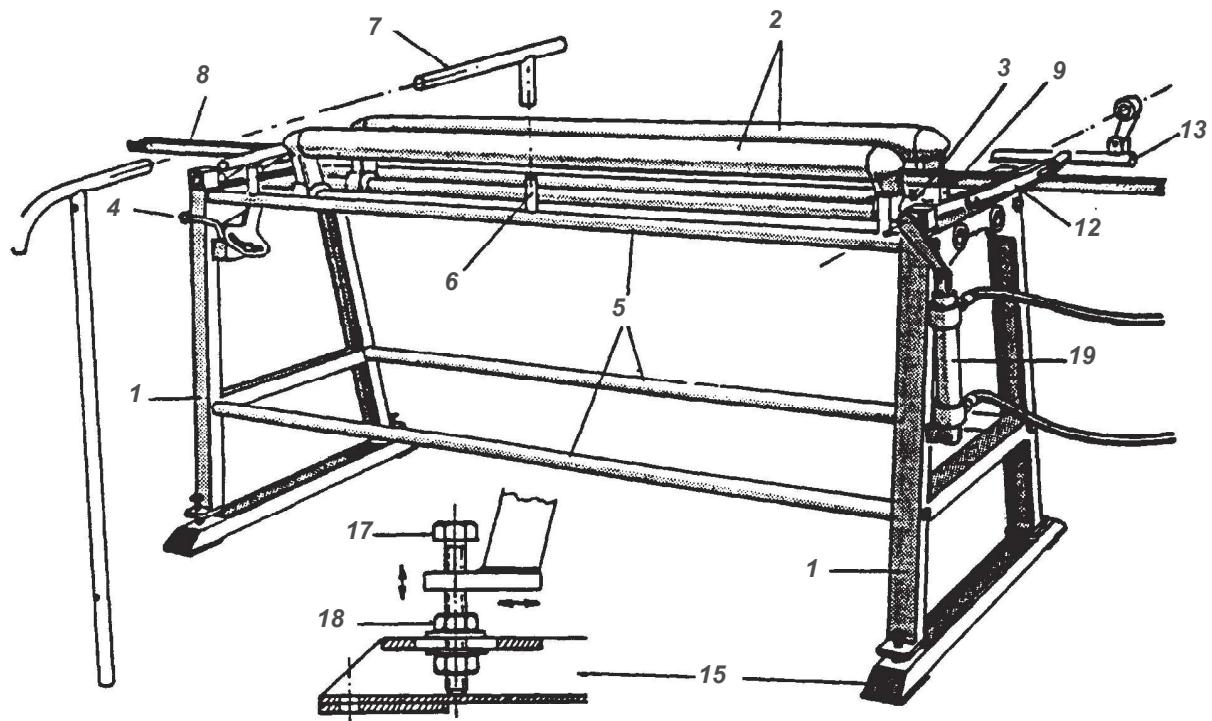
Each run-off table have two end-frames (1), which have bearings for the two adjustable cylindrical supporting rolls (2). Cogwheel segments (3) keep the support rolls in equal distance from the centreline, and the adjustments of the distance between the two rolls (which has to be done for every change in tube diameter), are effected by means of the handle (4), located on the second end-frame. The support rolls are mounted in both of the two end-frames, which are bolted together by means of 4-distance bars (5). The two upper bars have taps (6) for connecting the receiving ramp (7).

When assembling the run-off table, put first the support rolls into their bearings in each of the end-frames. Then fit the four frame bars and screw it together. Check that the cog-segments are putted into correct mesh, so that both support rolls have the same distance from the centreline of the table.

On each table there are two discharge arms (12), which lift the tubes up from the support rolls when the cutting operation is finished. The discharge Arms are linked together with a parallel rod (13), and between the first and second table these rods are connected by a coupling. When connecting the rods, be sure that the angle of the discharge arms are Identical at the first and second table.

To adjust the height of the tables, each end-frame is placed on floor plates (15), which later on when the machine is lined up, are fastened to the floor by expansion bolts. The end-frames are fastened to the floor plates by bolt (17), which also are height adjustment screws. When the height of the table later on is determined, these bolts are fastened by tighten the nuts (18) and those are keeping the tables in position in all directions.

The first end-frame of table no 1 is equipped with a pneumatic cylinder (19) for engaging the discharge arms. Two air-hoses from the machine have to be connected to the cylinder when assembly work with the run off table is finished.



Warning: To reduce the risk of severe personal injury do not operate this unit unless you have thoroughly read and understood all warnings and instructions contained in this manual and have received proper instructions and training from qualified personal.