



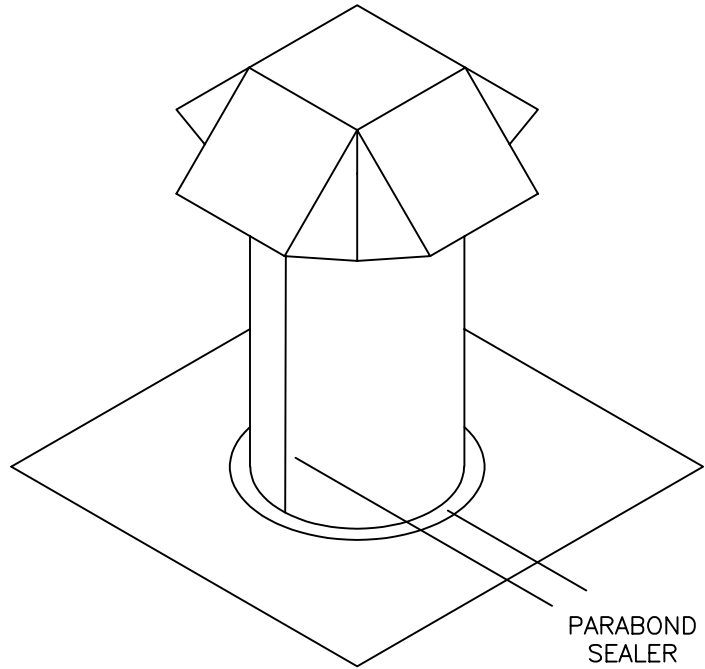
STANDARD CONSTRUCTION

MATERIAL:
26 GAUGE ASTM A-653 HOT-DIPPED GALVANIZED STEEL SHEET

STANDARD SIZES:

MODEL	SIZE	BOX QTY.
SRJ04	4"	1
SRJ05	5"	1
SRJ06	6"	1
SRJ07	7"	1
SRJ08	8"	1
SRJ10	10"	1
SRJ12	12"	1
SRJ14	14"	1
SRJ16	16"	1
SRJ18	18"	1

FEATURES:
 GALVANIZED STEEL PROVIDES EXCELLENT CORROSION RESISTANCE AND LONGEVITY.
 ACME LOCK SEAM CREATES A STRONG, RIGID BODY.
 SEAMS SEALED WITH PARABOND ALUMINUM ADHESIVE.
 INCLUDES A BIRD SCREEN.



JOB NAME:
LOCATION:
ARCHITECT:
ENGINEER:
CONTRACTOR:
CONTACT MIAMI TECH INC. FOR ADDITIONAL INFORMATION OR WITH SPECIAL REQUIREMENTS.
3611 NW 74TH ST MIAMI, FL 33147 PHONE: 305-693-7054 FAX: 305-693-6152
WEB: WWW.MIAMITECH.COM EMAIL: SALES@MIAMITECH.COM

DISCLAIMER:
 1. MIAMI TECH DOES NOT GUARANTEE THESE ROOF JACKS TO BE LEAK-PROOF IN ALL WEATHER CONDITIONS.
 2. MIAMI TECH DOES NOT GUARANTEE THESE ROOF JACKS TO PREVENT THE INTRUSION OF WATER FROM WIND BLOWN RAIN OR TORRENTIAL STORM CONDITIONS.

SRJ
 STRAIGHT ROOF JACK
 PRODUCT SPECIFICATIONS

NOTE: ALL DRAWINGS SUBJECT TO CHANGE WITHOUT PRIOR NOTICE.



DRAWN BY: AF	DATE: 10/16/07	SCALE: NOT TO SCALE	DRAWING NO. SRJ
CHECKED BY: IG	DATE: 10/16/07	REVISION: 1	