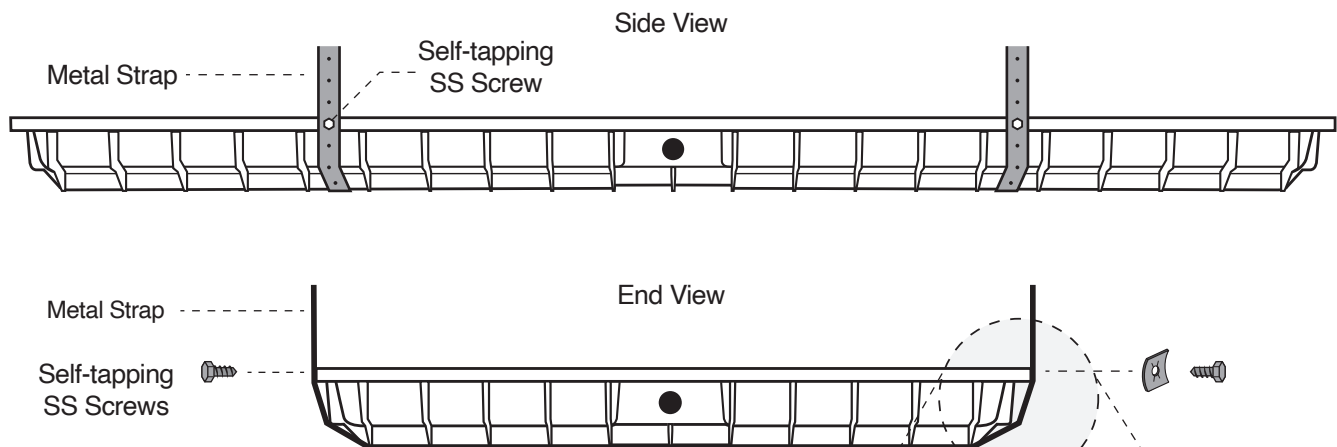


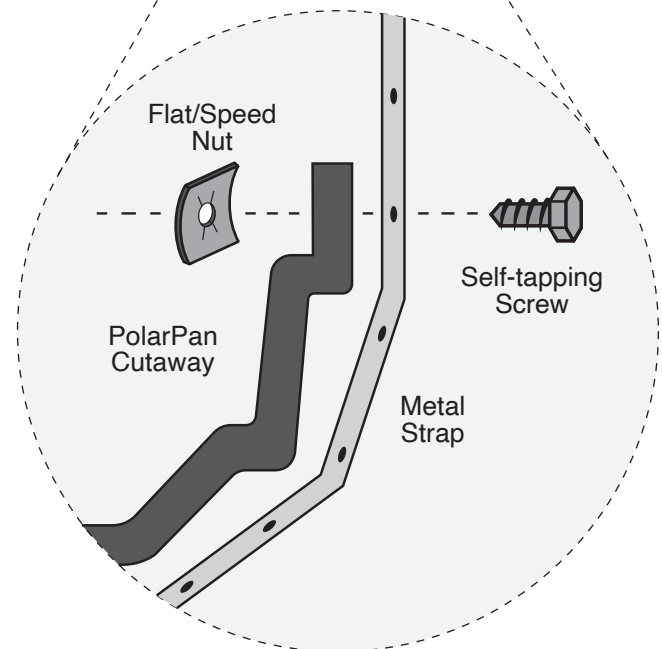
## Method 1 - Utilize Metal Strap Under Pan (Preferred)

For PolarPans that will be hanging, utilize metal strap beneath pan to evenly distribute the load and support the pan. Supports must be inside of the air handler/unit frame. Hanging straps must be suspended to structural material above (ex: 2x4 lumber, Unistrut, etc.).



## Installation

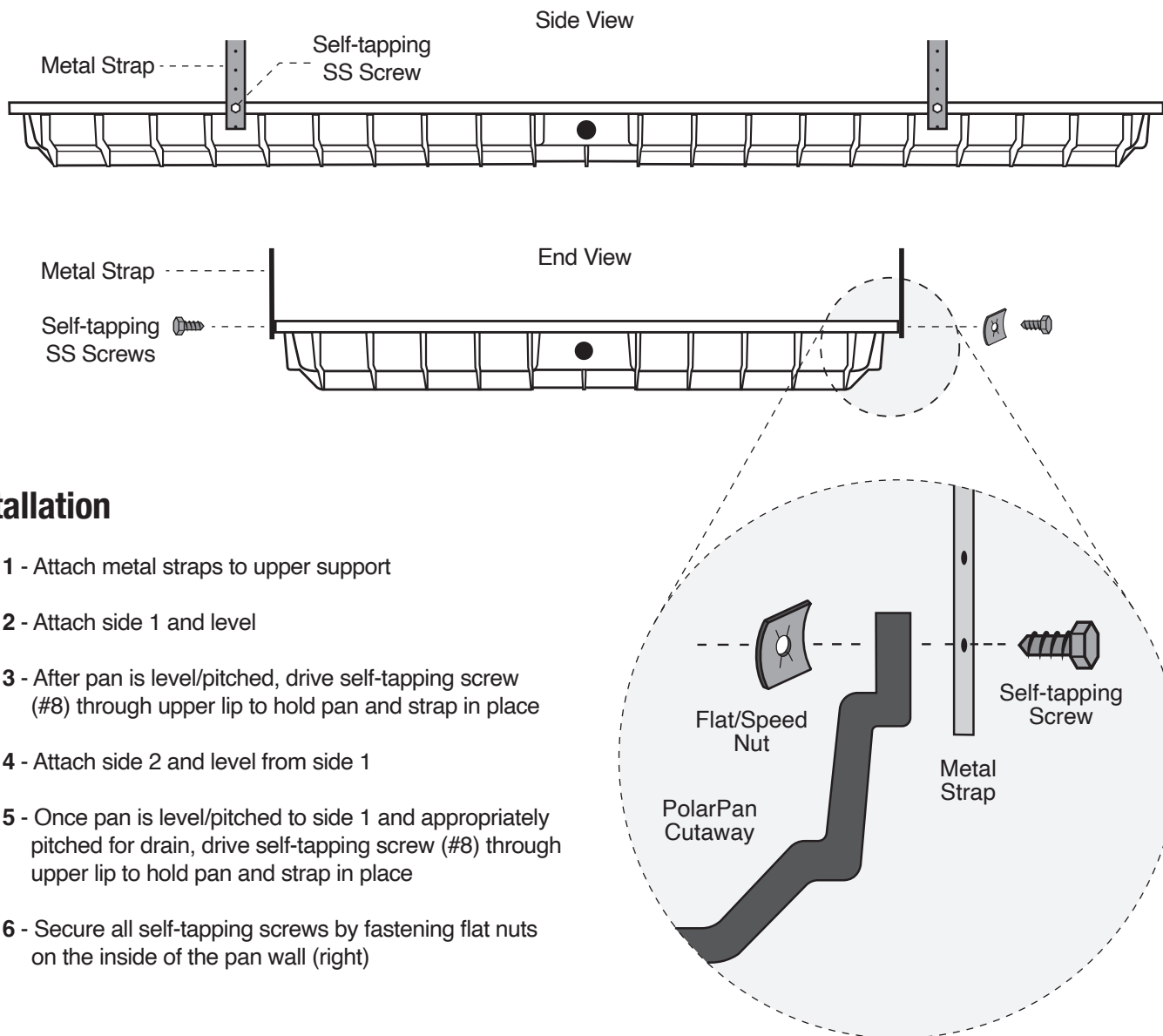
- Step 1** - Attach metal strap to upper support and run under pan
- Step 2** - Attach side 1 and level
- Step 3** - After pan is level/pitched, drive self-tapping screw in upper lip (#8) to hold pan and strap in place
- Step 4** - Attach side 2 and level from side 1
- Step 5** - Once pan is level/pitched to side 1 and appropriately pitched for drain, drive self-tapping screw (#8) in upper lip to hold pan and strap in place
- Step 6** - Secure all self-tapping screws by fastening flat nuts on the inside of the pan wall (right)



Rev.01.25

## Method 2 - Individual Metal Straps Attached to Pan Lip (Alternate)

For PolarPans that will be hanging, utilize metal strap/metal on the side of pan (being cautious to avoid sag) to evenly distribute the load and support the pan. Supports must be inside of the air handler / unit frame. Hanging straps must be suspended to structural material above (ex: 2x4 lumber, Unistrut, etc.).



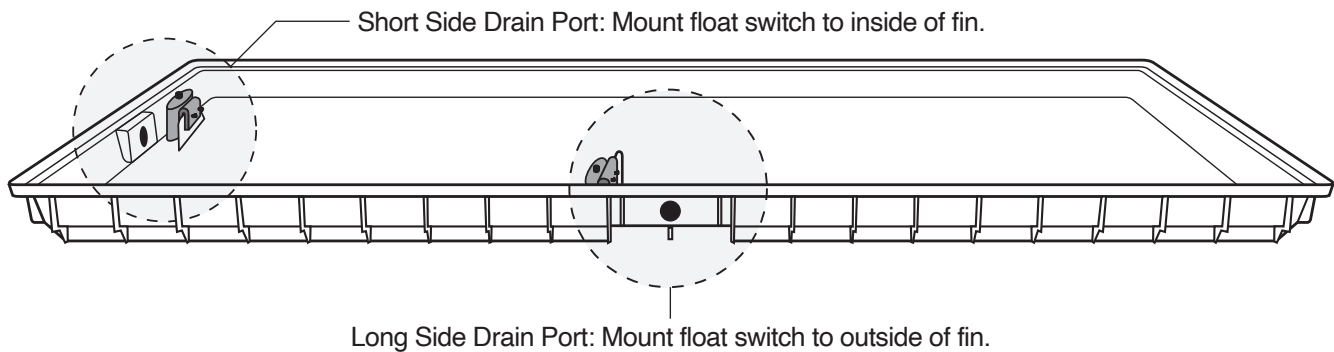
## Installation

- Step 1** - Attach metal straps to upper support
- Step 2** - Attach side 1 and level
- Step 3** - After pan is level/pitched, drive self-tapping screw (#8) through upper lip to hold pan and strap in place
- Step 4** - Attach side 2 and level from side 1
- Step 5** - Once pan is level/pitched to side 1 and appropriately pitched for drain, drive self-tapping screw (#8) through upper lip to hold pan and strap in place
- Step 6** - Secure all self-tapping screws by fastening flat nuts on the inside of the pan wall (right)

Rev.01.25

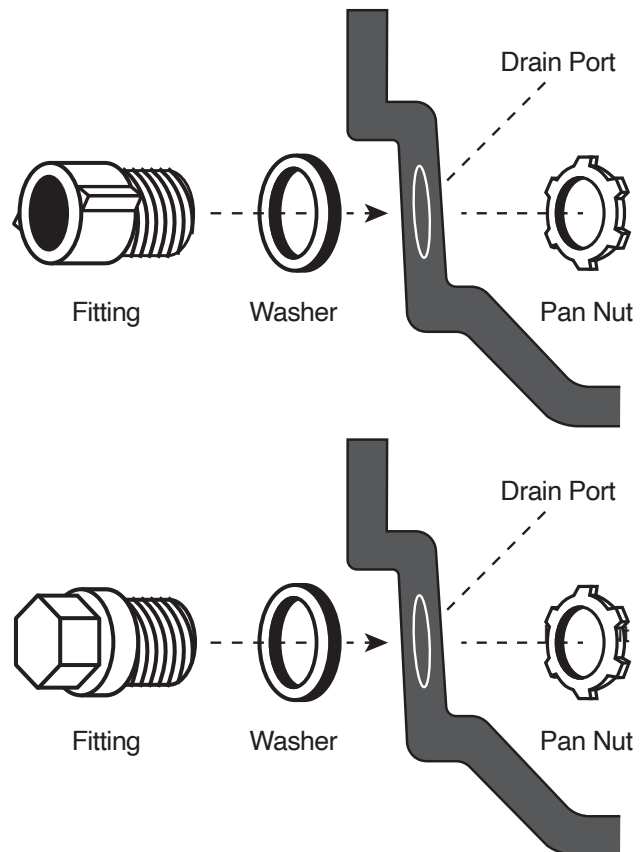
## Installing Fittings & Float Switches

PolarPan Heavy Duty HVAC Pans come with drain ports on both the long and short sides. Fittings and washers should always be installed on the outside of the pan, and secured from the inside with a pan nut. Install the drain fitting at the desired drain area, and seal the remaining drain port with washer, plug and nut provided. Failure to properly secure the fittings may result in water leaks and property damage.



## Fitting Installation

- Step 1** - Select port most easily accessed for drain installation. Opposite port should be plugged.
- Step 2** - Insert male fitting (drain) through washer and drain port from the exterior of pan.
- Step 3** - Hand-tighten pan nut on the interior of pan with the teeth facing out. Do not over-tighten.
- Step 4** - Insert male fitting (plug) through washer and drain port from the exterior of pan on opposite port (non-drain side of pan).
- Step 5** - Hand-tighten pan nut on the interior of pan. Do not over-tighten.



## Float Switch Installation

**Short Side Drain Port:** Mount float switch to inside of fin.  
**Long Side Drain Port:** Mount float switch to outside of fin.

Rev.01.25